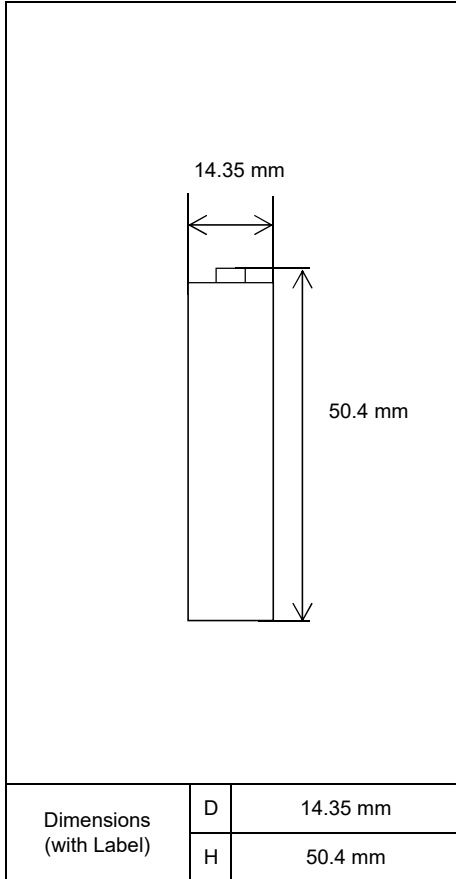


Cell Type BK-3MCCF

Specifications

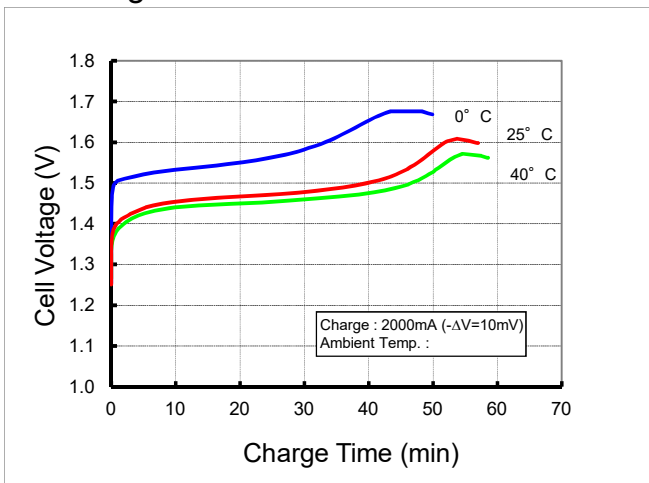


Type : Nickel-Metal Hydride Battery		Size : AA Industrial Type (Button top)
Country of origin		Japan
Capacity ¹⁾	Minimum	1900mAh
Nominal Voltage		1.2V
Charging Current x Time	Fast Charge ²⁾	Max.1900mA
Ambient Temp.	Charge Condition	Fast Charge ²⁾
	Discharge Condition	0°C - 40°C
	Storage Condition	Less than 90days
Less than 1year		-20°C - 40°C
Internal Impedance ³⁾ (after discharge to E.V.=1.0V)		Approx. 25mΩ (at 1000Hz)
Weight ⁴⁾		Approx.27g
Size ⁴⁾ :(Diameter) x (Height)		14.35(D) x 50.4(H) mm

- 1)Single cell capacity under the following condition.
Charge : 190mA×16h, Discharge : 380mA(E.V.=1.0V) at 25°C
- 2)Use recommended charging system.
- 3)After a few charge and discharge cycles under the above 1) condition.
- 4)With Label.

Typical Characteristics

Charge



Discharge

